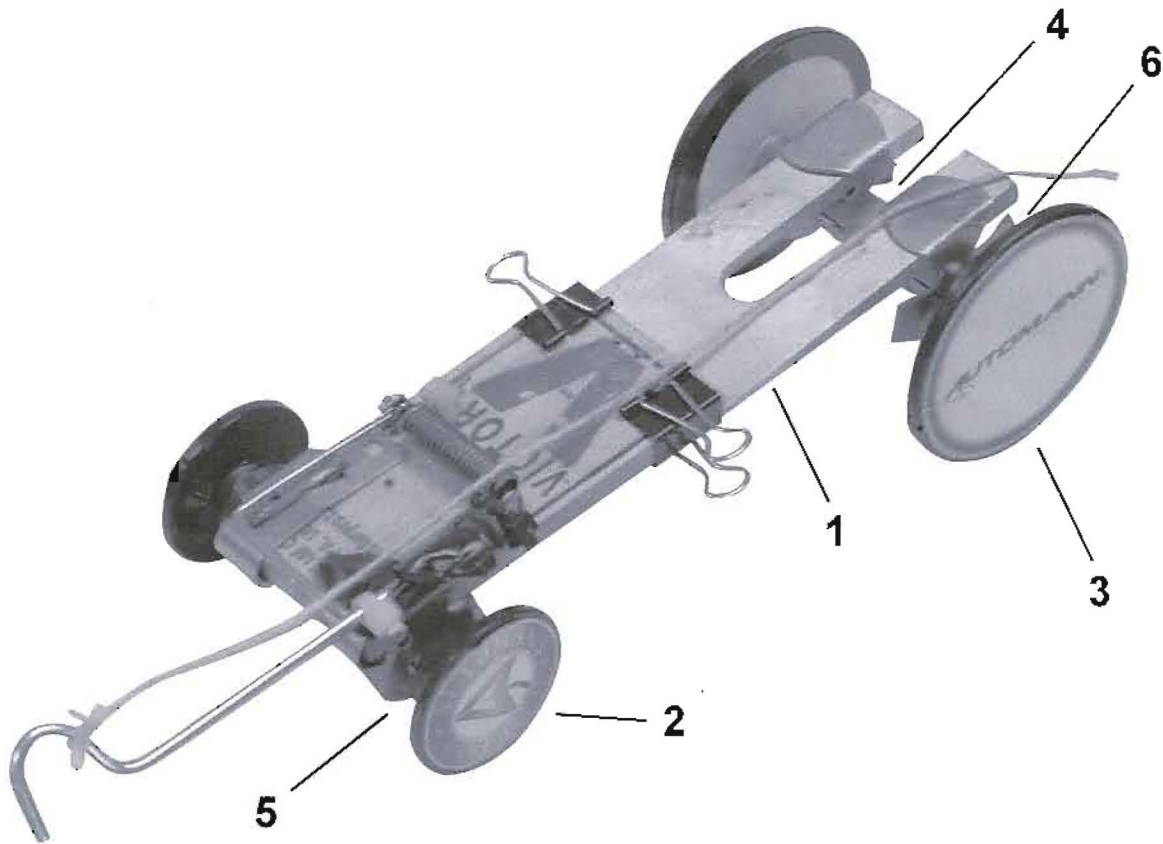


Mouse Trap Racer



B.O.M. – Bill of Materials

Key	Req.	Description	Part	Part Description
1	1	Aluminun Chassis	A104	Shim Wedge
2	2	Front Wheel	MGM7	GM Spring End Cap
3	2	Rear Wheel	MHS89	Hendrickson Wear Pad
4	2	Axles	ST60	Spacer Tube
5	4	Axle Location Collar	180.10627	Center Fill Plug
6	2	Axle Carrier	MIH58	IHC Steel Lock Plate